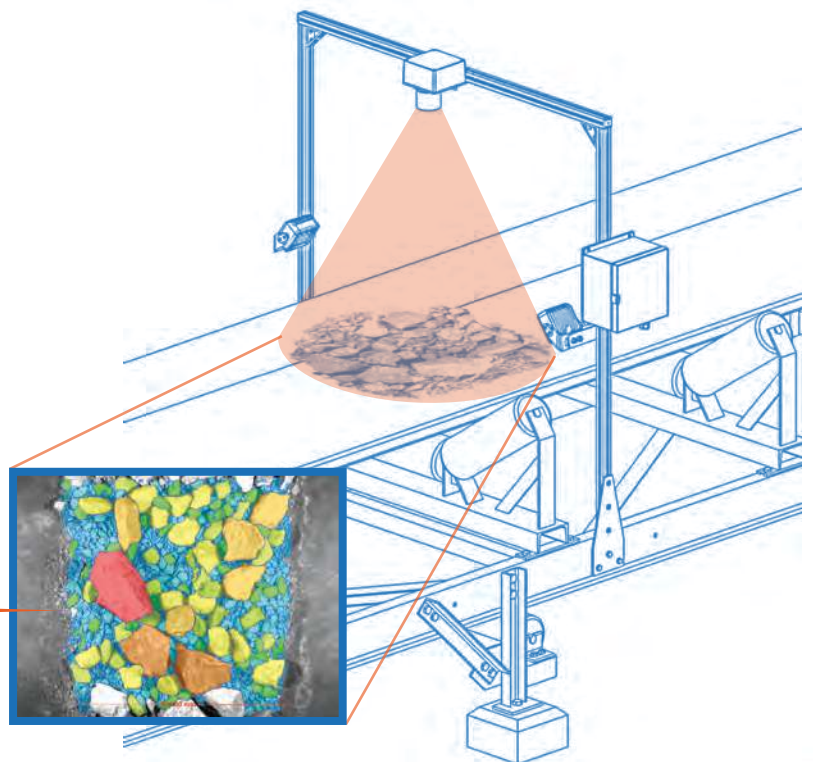
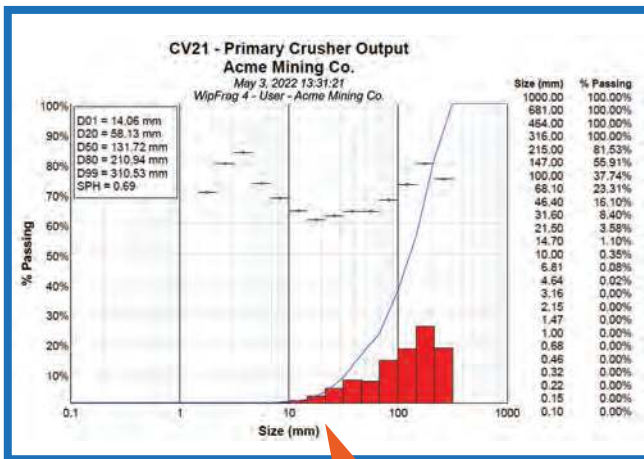




Solo™ 6 Conveyor Analysis System

Because you can't manage
what you can't measure!

Measure particle size, shape, volume and colour
on conveyor belts in real time without disruption



Rugged & Robust Design

Built especially for extreme industrial environments, Solo™ is completely autonomous with a fixed focus lens, and mounts on virtually any conveyor or chute.

Flexible Model Options

Choose from two different models:

Standard for particle size, shape, volume & colour; or **Basic** for maximum size or colour differentiation only.

New & Improved Edge Detection

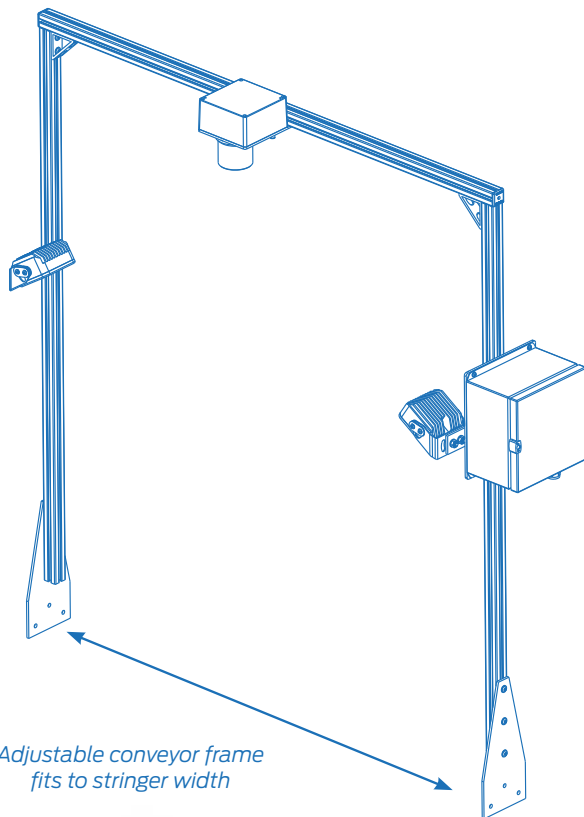
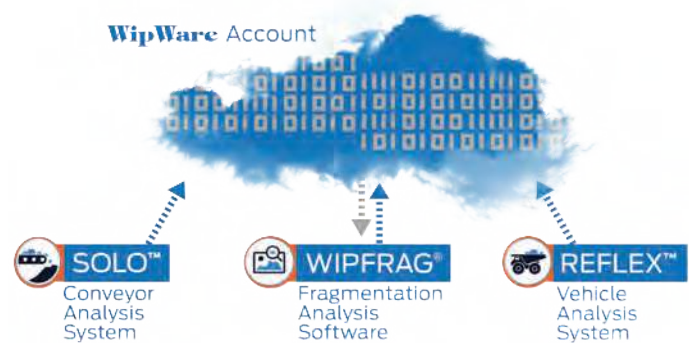
Our renowned edge detection algorithm is now more powerful than ever – continuously being improved for increasingly accurate analysis results.

Rapid Real Time Results

Receive real-time data and alerts direct to your process control system and generate customized actionable reports with ease.

WipWare Account Integration

Synchronize Solo™ analysis results and trends with your own free WipWare Account, and access your information from anywhere.



MECHANICAL SPECIFICATIONS

Material	Aluminum / Stainless Steel
Dimensions	Fits conveyors up to 2 m wide
Weight	25 kg

ELECTRICAL SPECIFICATIONS

Input Voltage	100-240VAC @ 50-60 Hz
Power Consumption	65 W typical / 360 W max
Certifications	ESA

ENVIRONMENTAL SPECIFICATIONS

Ingress Protection	NEMA 4 / IP66
Temperature	-40°C to +80°C
Shock / Vibration	140 G / 5 G RMS @ 10-500 Hz

DATA SPECIFICATIONS

Networking	Ethernet
Communications	Modbus TCP / OPC UA
Human Interface	WipFrag 4 (Windows, iOS, Android)



To find out more about our products visit wipware.com

WipWare
PHOTOANALYSIS SYSTEMS

WipWare Incorporated
North Bay, Ontario, Canada.
1-705-472-2664